

---

## Product Alert

Date : May 25, 2016  
To : Our valued partners  
From : Clark Hummel, Director of Product Management  
Re : MDrive 17 Improved Heatsink

As is periodically the case, we recently reviewed the design for our NEMA 17 frame series of MDrive products. With an eye towards easier EMC compliance for our customers, it was decided to add an integral grounding screw to the heatsink itself. In the past, if limiting EMC radiated emissions as well as reducing susceptibility were an issue, a heatsink mounting screw would need to be removed and the coating under the screw scraped away so that a grounding strap could be added to the heatsink. With this improved design, a grounding terminal is readily available on the heatsink.

The grounding terminal, along with the mounting screw and lock washer increase the overall length of the MDrive by approximately 0.25" (6.35mm). If space is a concern, removing the screw and lock washer reduces this difference to .12" (3mm). Please see the attached drawing for details of the updated heatsink.

This update will start shipping immediately and effect the **Plus** version of the NEMA 17 frame series of MDrive products (MD11xxx17, MDM1xxx17, MDO1xxx17, MLI1xxx17, MLM1xxx17 ) as well as the MForce Microdrive (MF11xxx17). This **will not** affect the Plus2 version (MDx3xxx17) or the Industrial Connector version (MDI4xxx17, MDM2xxx17).

If you have any questions, please do not hesitate to contact our Applications Engineering Team.

Best Regards,

Clark Hummel



Director of Product Management

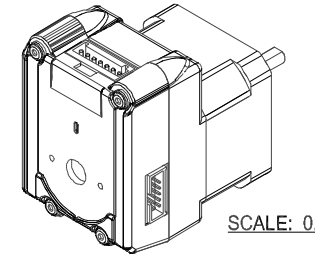
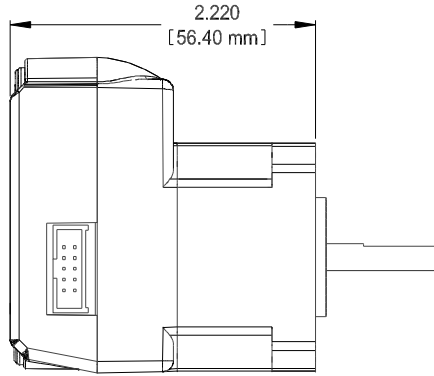
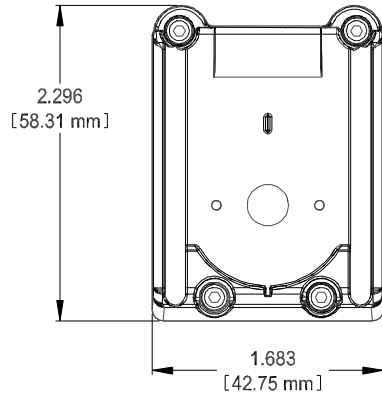
Schneider Electric Motion USA

### Schneider Electric Motion USA

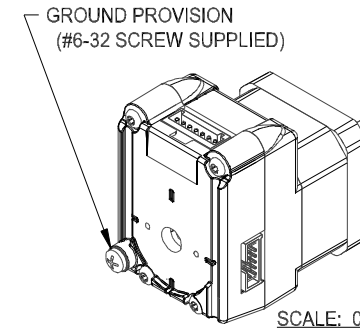
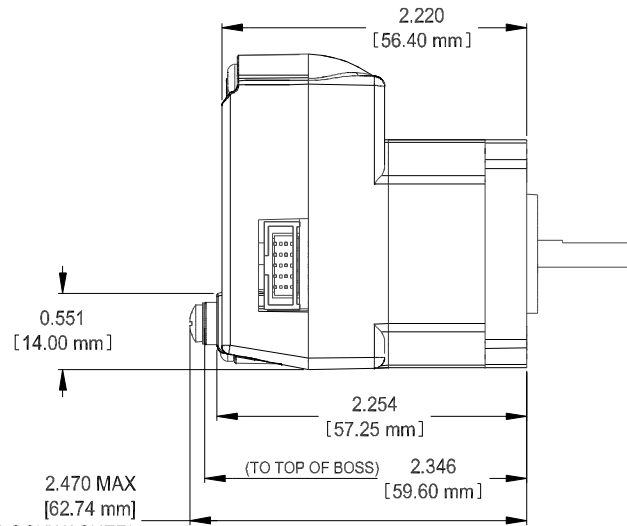
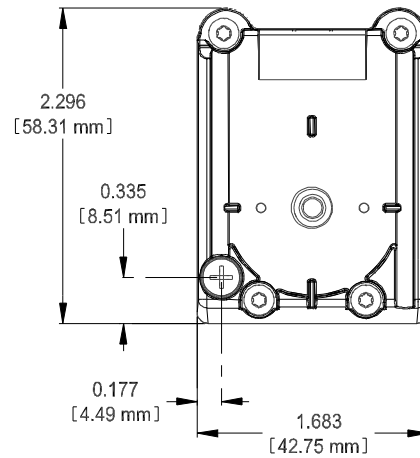
370 N. Main Street  
Marlborough, CT 06447  
Phone: 860-295-6102  
Fax: 860-295-6107  
[www.motion.schneider-electric.com](http://www.motion.schneider-electric.com)



FOR PREVIOUS REVISIONS SEE RECORD COPY				
REV	DESCRIPTION	DWN/DATE	APPROVED	ECO
A	NEW RAWING	05/24/16		



CURRENT PRODUCTION;  
HEAT SINK WITHOUT GROUND PROVISION



REVISED;  
HEAT SINK WITH GROUND PROVISION

(INCLUDES LOCKWASHER)  
-- DOES NOT INCLUDE WIRE LUG --

Note:  
This drawing and all information thereon is proprietary to Schneider Electric Motion USA, and must not be reproduced or used without permission.

Form: EF00003\_Rev\_A

UNLESS OTHERWISE SPECIFIED DIMENSIONS ARE IN INCHES. TOLERANCES ARE:			CONTRACT NO			IMS Schneider Electric Motion USA 370 NORTH MAIN STREET, WARLBOROUGH, CT 06447			
FRACTIONS:	DECIMALS:		APPROVALS	DATE		TITLE			
± 1/16	X.X ±0.02		DRAWN	P. B.	05/24/16	MODIFICATION, MDrive17 HEAT SINK			
	X.XXX ±0.01		CHECKED			SIZE	SEM PART NUMBER	DWG NO	REV
	X.XXXX ±0.005		DESIGNER			A	N/A	H-IMS0685	A
DO NOT SCALE DRAWING			MATERIAL		SCALE		RELEASE DATE	SHEET	
NOTED			FINISH		0.75			1 of 1	
NOTED			THIRD ANGLE		DISK DIRECTORY:		FILENAME:		

PART H-IMS0685 REV A